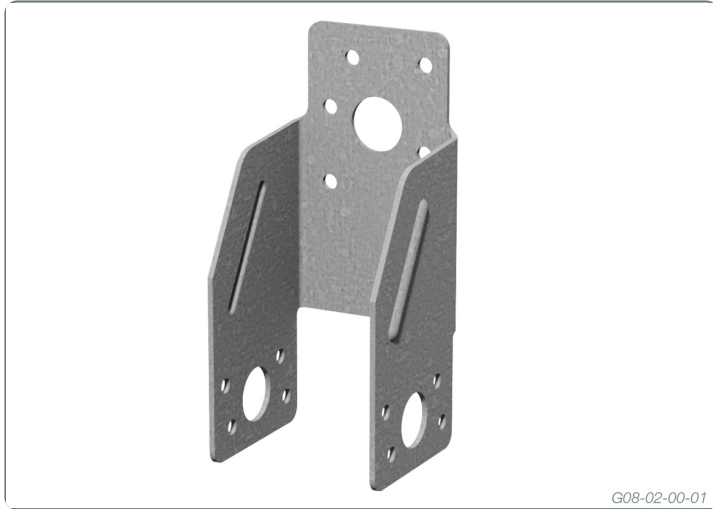


High Load Easy Grip

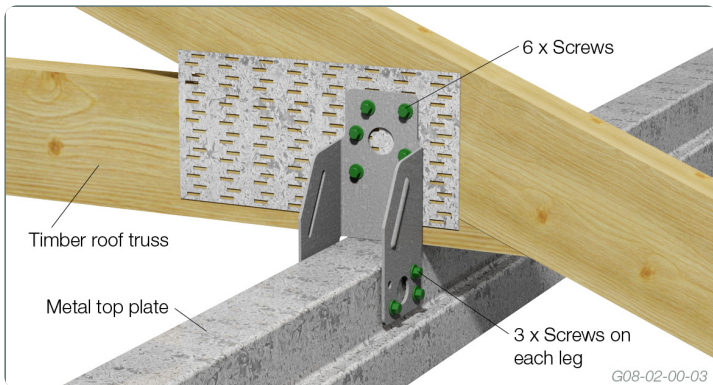


For a fast, high capacity truss tie down to metal frames

These formed galvanised steel connectors are ideal for:
Tying down trusses to metal frames for structures located in an area of high wind loading.

APPLICATION

High Load Easy Grips are generally used in high wind areas for tying down roof trusses to a metal frame top plate, and can be used in any area where there is a need to tie down high uplift



FIXING

Fix to truss with 6/12 gauge screws into truss and fix to top plate with 3/12 gauge screws each leg. Total of 12 screws required with each grip

NOTES:

1. Can use Green Tip #12 screws into timber trusses.
2. Use Metal Tip screws for top plate.
3. Do not over tighten screws.
4. Metal top plate to be minimum 1.6mm G450 steel.

LIMIT STATE DESIGN LOAD

Design Capacities for a Single High Load Easy Grip

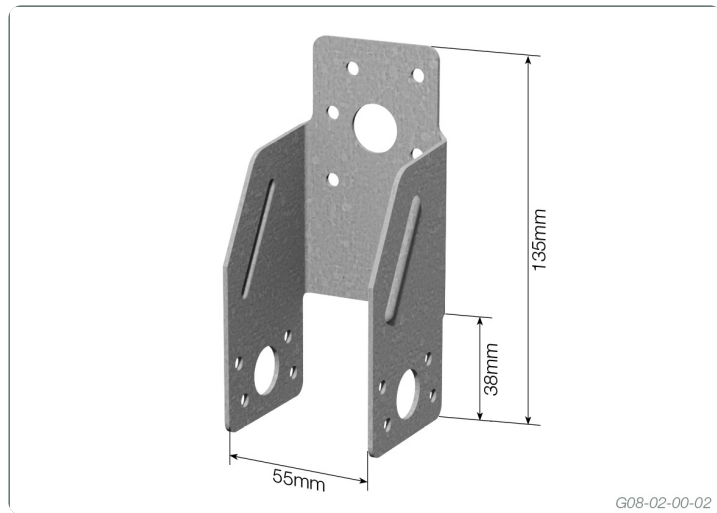
Joint group	Uplift Capacity (kN)
J2/JD3	24.9
J3/JD4	17.6
J4/JD5	12.4

NOTE: The capacities are derived from AS1720-2010 and are for uplift in houses where failure is unlikely to affect an area greater than 25m². For primary elements in structures other than houses or elements in a house for which failure would be greater than 25m² these capacities must be multiplied by 0.94. For primary joints in essential services or post disaster buildings multiply by 0.88. For 2/Grips the values can be doubled.

DESCRIPTION AND PACKAGING

Manufactured from 1.9mm Galvanised G300 Z275 Steel

Description	Product Code	Reference Code	Carton quantity	Carton kg.
High Load Easy Grip	HLEG-50	HLEG-50	50	11.2
30mm x 2.8Ø Multinail Nails (TA302)				



Due to continual product improvement Multinail Australia Pty Ltd. reserves the right to change the product/s depicted - both in description and specification. This document has to be read in conjunction with Multinail's Technical Manual.