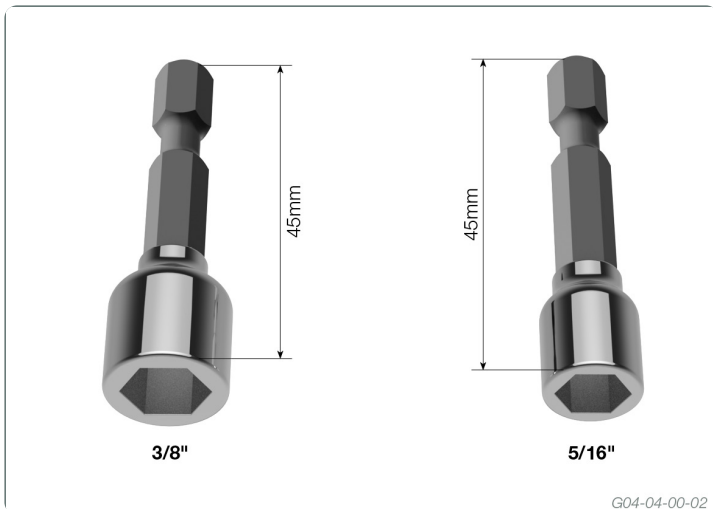


Magnetic Hexagon Socket



DESCRIPTION AND PACKAGING

Description	Product Code	Reference Code	Carton quantity	Carton kg.
5/16" 45mm length	TA230	MHS516	1	
3/8" 45mm length	TA231	MHS38	1	



Due to continual product improvement Multinail Australia Pty Ltd. reserves the right to change the product/s depicted - both in description and specification. This document has to be read in conjunction with Multinail's Technical Manual.