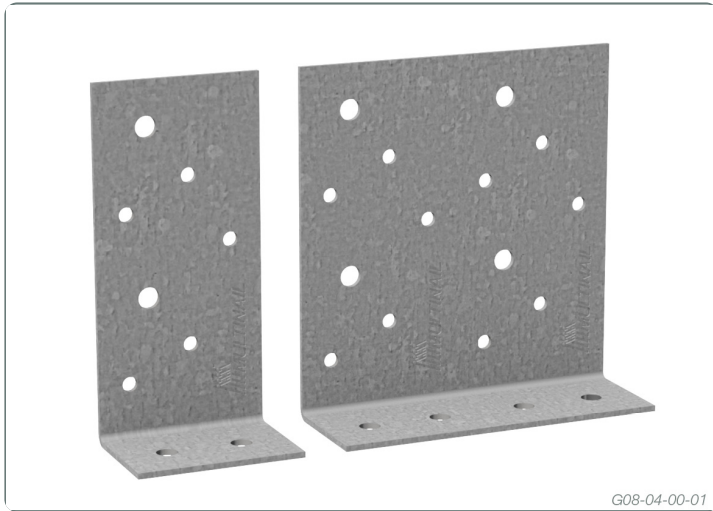


## Purlin Cleat



**Multi use connecting ancillary used to tie down in timber roof and wall framing**

**Pre-punched and formed galvanised steel timber connectors ideal for:**

**Tying down trusses with a partial concealed connection.**

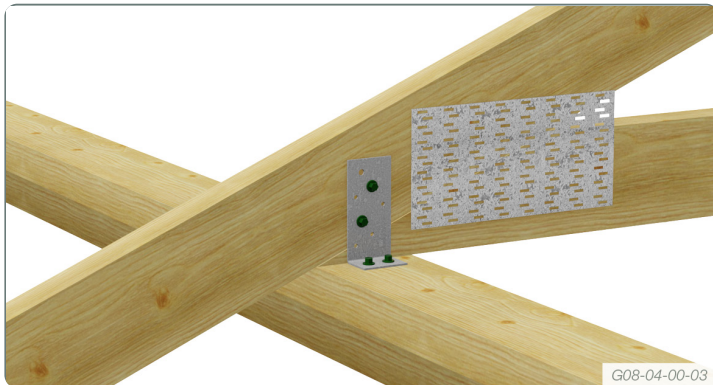
**Suitable for connecting studs to wall plates.**

### APPLICATION

40mm-Purlin Cleat should be fixed with: 2/35mm Green Tip screws at top flange 2/35mm Green Tip screws at bottom flange

80mm-Purlin Cleat should be fixed with: 4/35mm Green Tip screws at top flange 4/35mm Green Tip screws at bottom flange

Note: For double top plates use 65mm screws.



Truss to top plate



Stud to bottom plate

LIMIT STATE DESIGN LOAD

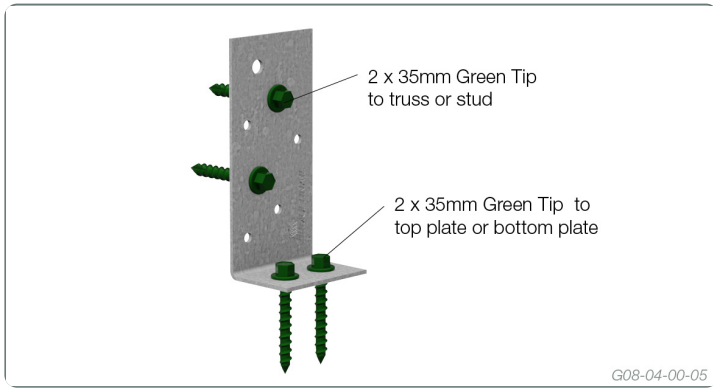
Joint Group	Tie down capacity (kN) per Purlin Cleat	
	40mm Purlin Cleat	80mm Purlin Cleat
JD3	5.6	9.5
JD4	4.2	7.1
JD5	3.4	5.7

\*Values in the table are for ONE 40mm or 80mm Purlin Cleat only

NOTES: The capacities are derived from AS1720-2010 and are for uplift in houses where failure is unlikely to affect an area greater than 25m<sup>2</sup>. For primary elements in structures other than houses or elements in a house for which failure would be greater than 25m<sup>2</sup> these capacities must be multiplied by 0.94. For primary joints in essential services or post disaster buildings multiply by 0.88.

For 2/Purlin Cleats the above values can be doubled.

FIXING

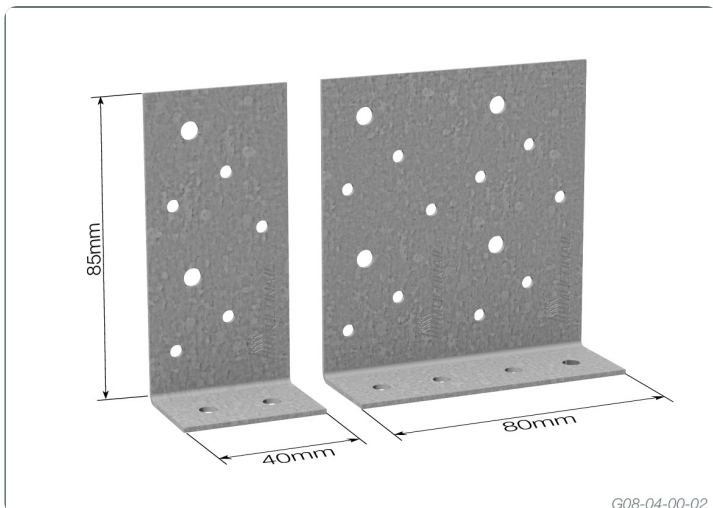


DESCRIPTION AND PACKAGING

Manufactured from 1.5mm Galvanised G300 Z275 Steel

Description	Product Code	Reference Code	Carton quantity	Carton kg.
Purlin Cleat	PC40	PC40	300	15.1
Purlin Cleat	PC80	PC80	150	15.1

35mm Green Tip #12 Screw (TA221)



---

Due to continual product improvement Multinail Australia Pty Ltd. reserves the right to change the product/s depicted - both in description and specification.  
This document has to be read in conjunction with Multinail's Technical Manual.