

## Steel Web Stiffener



G01-03-00-01

Steel section for stiffening webs in timber roof trusses

Ideal for replacing web ties and bracing on compression webs. Ensures that trusses can be easily stacked.

### APPLICATION

#### Fixing procedure:

1. Position the steel web stiffener in the middle of the timber web with a minimum of 2/3 of web covered.
2. Insert Green Tip #12 screws at 300 centres in the holes provided.

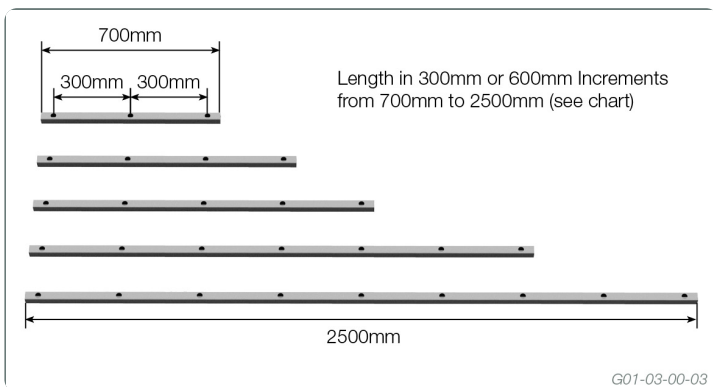
#### Note

For 35mm timber only.

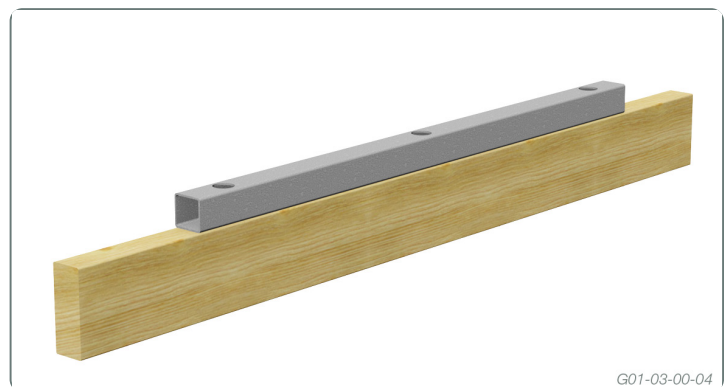
Maximum web length of 3.7m.

#### Design Procedure:

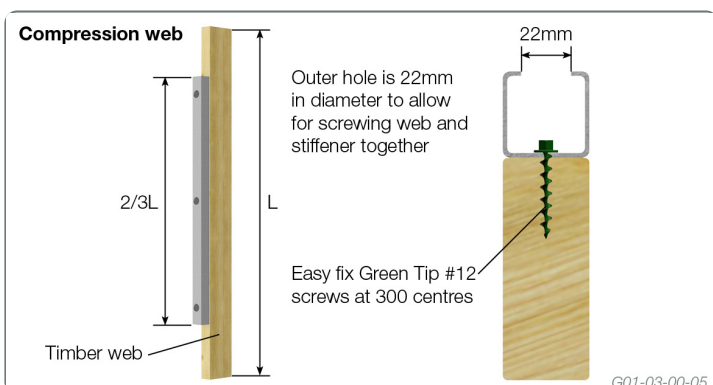
When a web is designed with 1/web tie and is less than 150mm wide and of a grade MGP12 or below, a steel web stiffener can be used in place of the web tie.



G01-03-00-03



G01-03-00-04

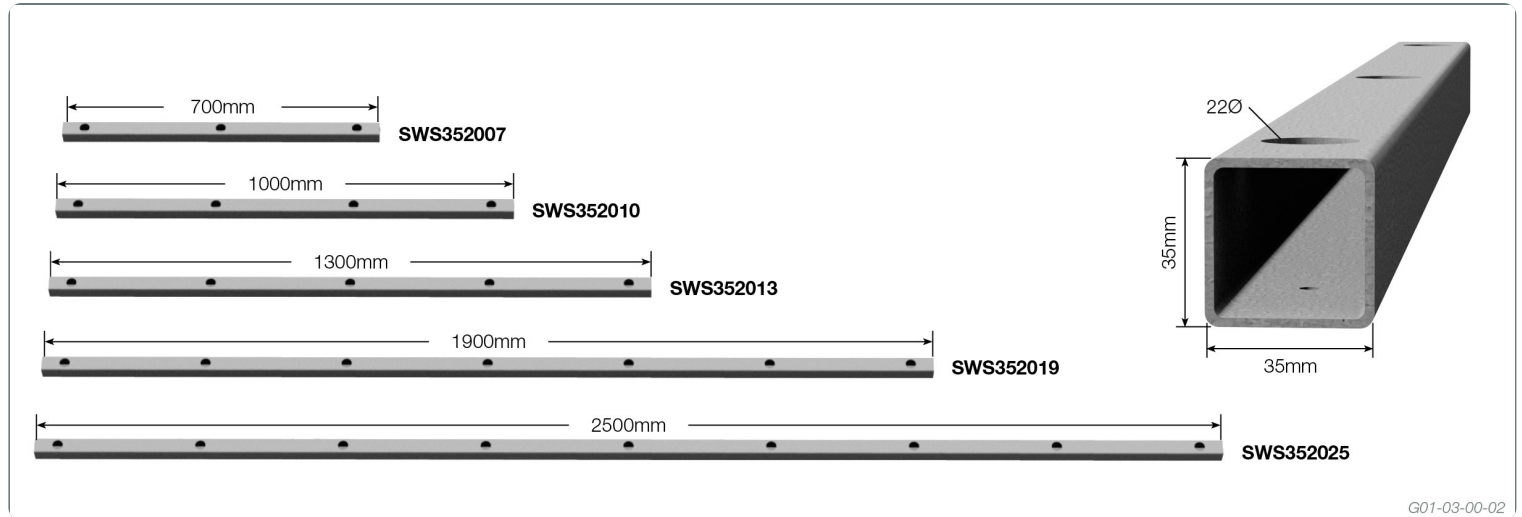


G01-03-00-05

DESCRIPTION AND PACKAGING

Manufactured from 2.0mm Galvanised G300 Z275 Steel

Description (size x gauge x length)	Product Code	Reference Code	Carton quantity	Carton kg.
35mm x 2.0mm x 0.7m	SWS352007	SWS352007	1	1.39
35mm x 2.0mm x 1.0m	SWS352010	SWS352010	1	1.99
35mm x 2.0mm x 1.3m	SWS352013	SWS352013	1	2.59
35mm x 2.0mm x 1.9m	SWS352019	SWS352019	1	3.78
35mm x 2.0mm x 2.5m	SWS352025	SWS352025	1	4.98
35mm Green Tip #12 Screw (TA221)				



G01-03-00-02

Due to continual product improvement Multinail Australia Pty Ltd. reserves the right to change the product/s depicted - both in description and specification. This document has to be read in conjunction with Multinail's Technical Manual.