

EcoBrace Anchorage Guide

Anchor Specification for U Bracket:

U-bracket Product Code	Anchor size
ECB90-P	M16

Total Anchor Qty. Required for each kit:

Kit Code	Anchor Size	Total Anchor Qty. Required
E90LVL1	M16	4

Note:

Anchor quantity is for reference only and is not included in the kit

General Note:

Post-installed anchor shall be designed by an anchor designer according to AS5216:2021 to ensure that the anchor tiedown capacity of each U Bracket meets or exceeds 18kN.

If this requirement cannot be fulfilled, please reach out to Multinail Advance at advance@multinail.com for further assistance.

Anchor Height:

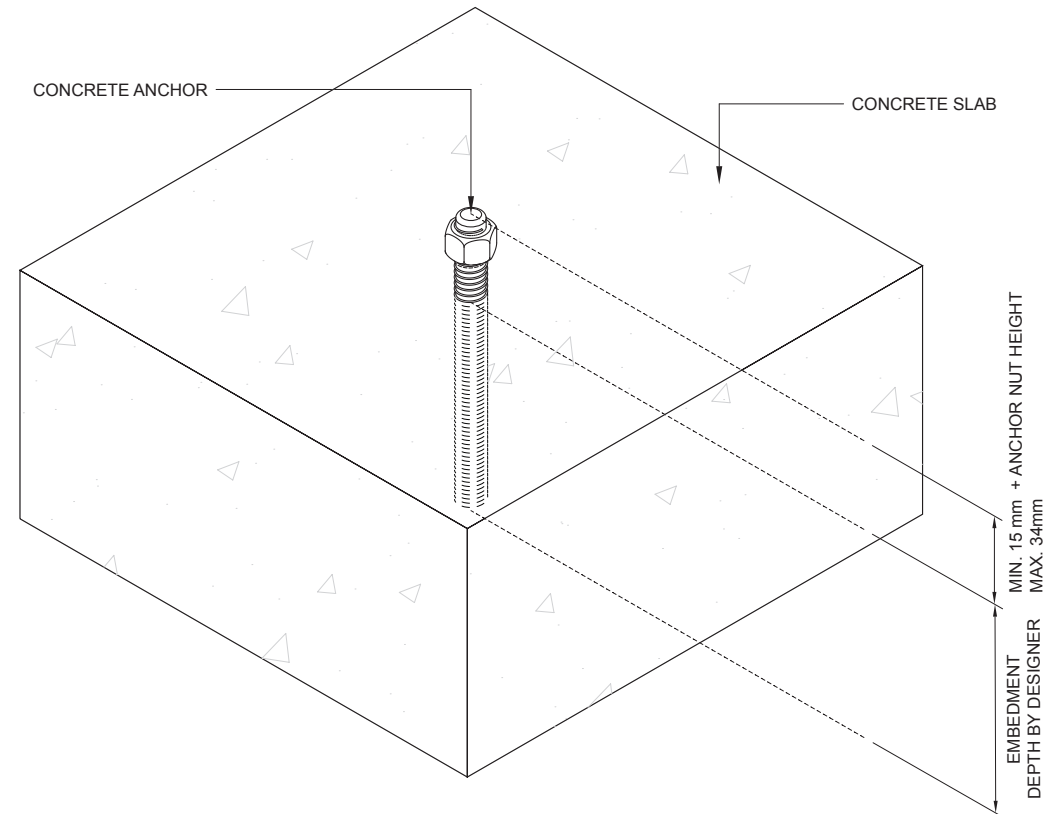
- Above Concrete Surface**
 Anchor height above the concrete surface = Min. 15mm + anchor nut height; Max. 34mm to prevent protrusion into the LVL
- Embedment Depth:**
 Anchor embedment depth to be specified by the anchor designer.

Edge Distances:

Minimum edge distances to be specified by the anchor designer.

Anchor Hole Diameter:

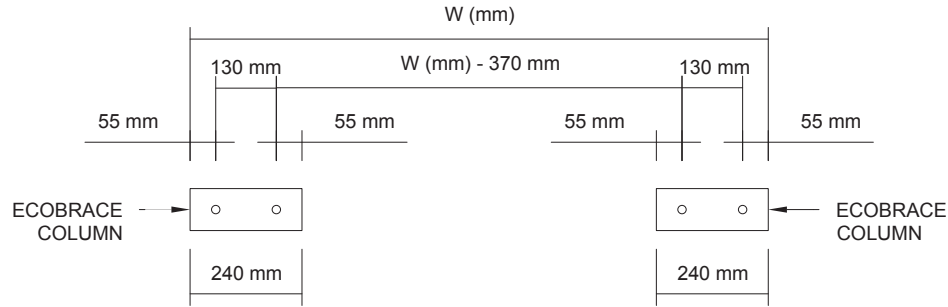
The anchor hole diameter should align with the recommendation provided by the anchor supply company.



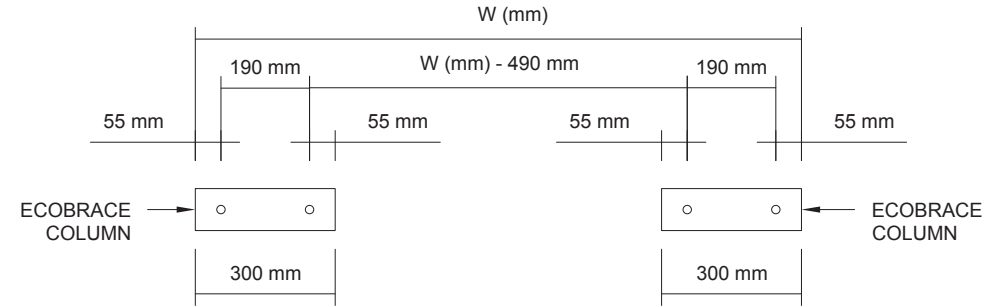
EcoBrace LVL Anchor Spacing:

The spacing between two U-bracket anchors depends on the selected Size of LVL. To determine the distance between anchor points, refer to the following details.

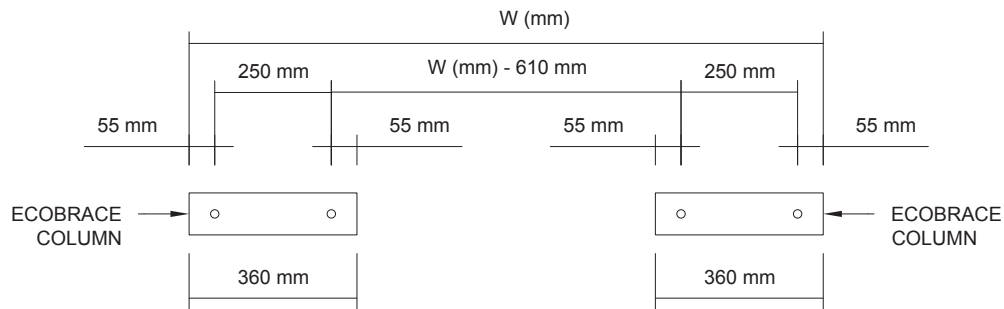
EcoBrace LVL size: 240 mm



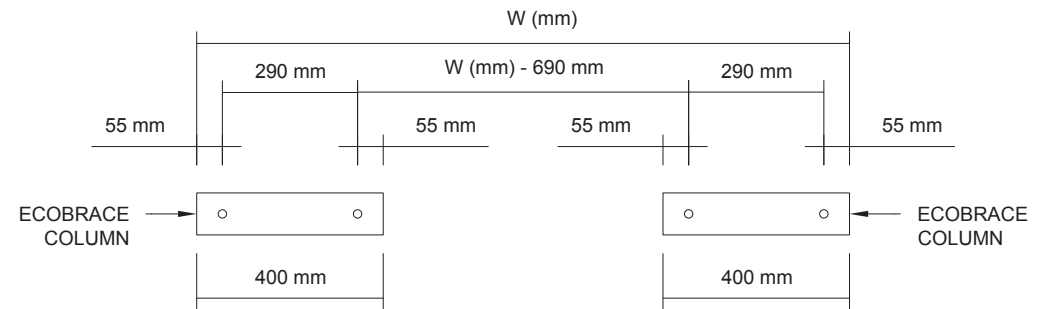
EcoBrace LVL size: 300 mm



EcoBrace LVL size: 360 mm



EcoBrace LVL size: 400 mm



W = OVERALL WIDTH OF ECOBRACE