

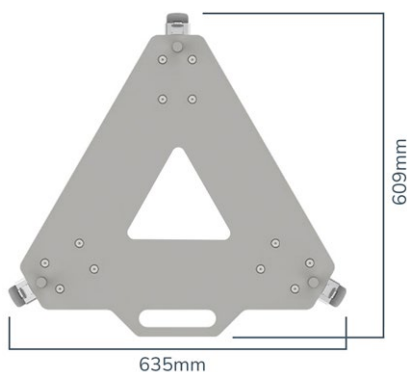
Triangle Trolley



SPECIFICATIONS

Overall length, width, height	609 x 635 x 207mm
Working height	177mm
Safe working load	350kg
Trolley mass	37kg

* Specifications shown reflect a typical configuration. Machine design, layout and features may vary depending on final configuration and customer requirements. Details will be confirmed at the time of order.



OVERVIEW

The Triangle Trolley is small but very robust and used for transport and storage of complete trusses or wall frames. You can move your completed product with ease.



See more

