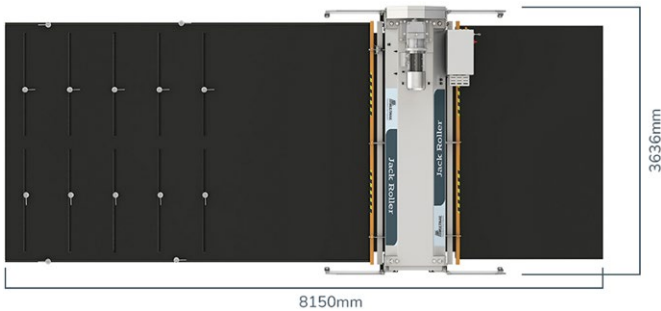


# Jack Roller 3000

## SPECIFICATIONS

Overall length, width, height	8150 x 3636 x 1985mm
Table height	2964mm
Min/Max timber height	35 - 45mm
Working height	780mm
Machine mass	7400kg
Roll diameter	600mm
Operating temperature	-5 - 40°C
Electrical requirement	400V 16A 3Ph + Neutral & Earth

\* Specifications shown reflect a typical configuration. Machine design, layout and features may vary depending on final configuration and customer requirements. Details will be confirmed at the time of order.



## OVERVIEW

The Jack Roller 3000 is a versatile assembly station for hip, jack and saddle trusses.

The table configuration allows for multiple operators to assemble individual trusses and feed them through the Jack Roller.

## FEATURES

- Jigging ready worktables and truss jigging included:
  - Eccentric clamps (14)
- Heavy duty construction
- 2 x 600mm diameter rollers
- Not limited to any truss shape

## OPTIONS

- Outfeed conveyor rollers



See more

